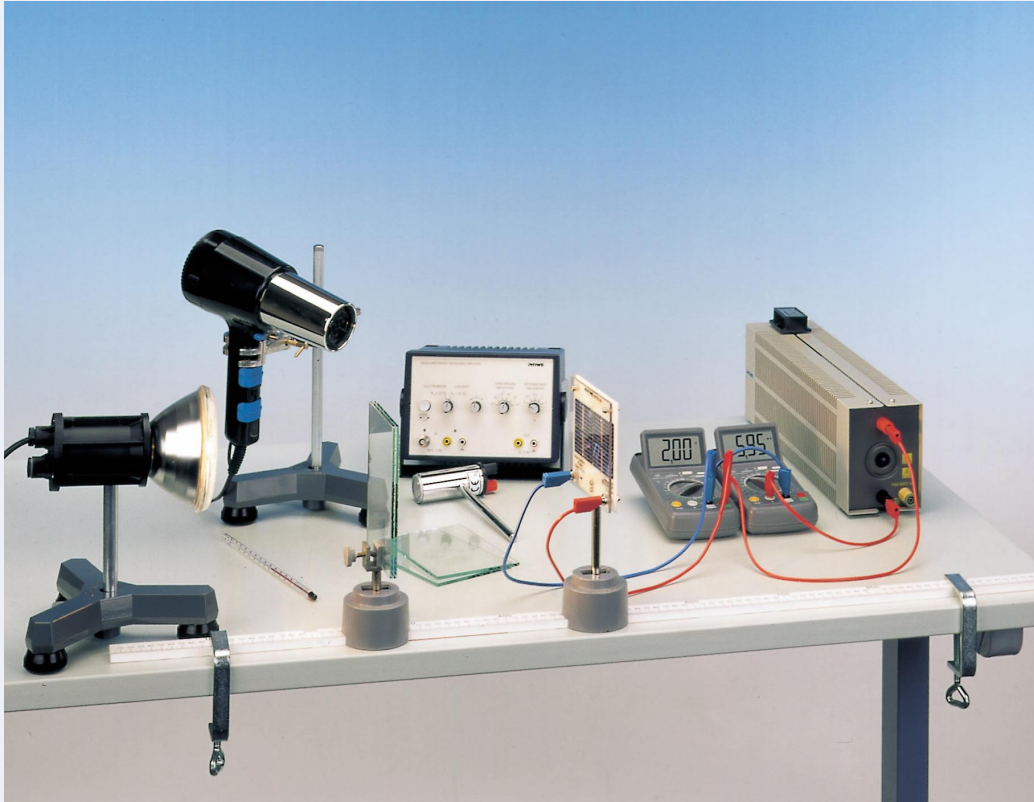


Characteristic curves of a solar cell 4.1.09-01



What you can learn about ...

- Semiconductor
- p-n junction
- Energy-band diagram
- Fermi characteristic energy level
- Diffusion potential
- Internal resistance
- Efficiency
- Photo-conductive effect
- Acceptors
- Donors
- Valence band
- Conduction band

Principle:

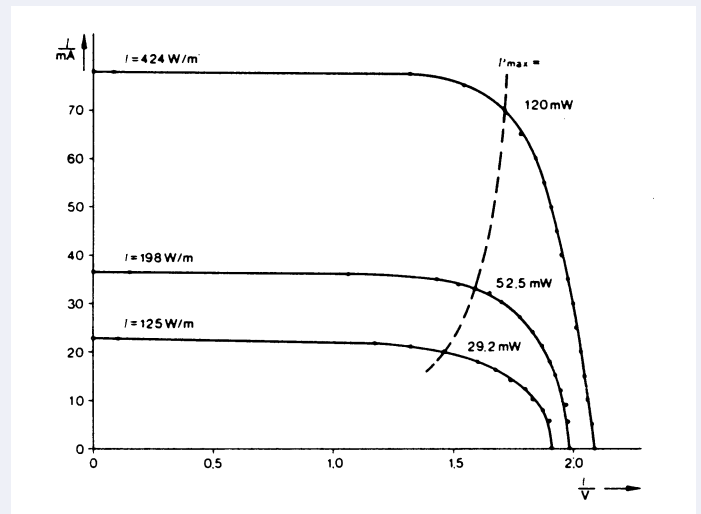
The current-voltage characteristics of a solar cell are measured at different light intensities, the distance between the light source and the solar cell being varied.

The dependence of no-load voltage and short-circuit current on temperature is determined.

What you need:

Solar battery, 4 cells, 2.5×5 cm	06752.04	1
Thermopile, molltype	08479.00	1
Universal measuring amplifier	13626.93	1
Rheostat, 330 Ω, 1.0 A	06116.02	1
Lamp socket E27, mains conn.	06751.00	1
Filament lamp, 220 V/120 W, w. refl.	06759.93	1
Hot-/Cold air blower, 1700 W	04030.93	1
Meter scale, demo, $l = 1000$ mm	03001.00	1
Tripod base -PASS-	02002.55	2
Barrel base -PASS-	02006.55	2
Support rod -PASS-, square, $l = 250$ mm	02025.55	1
Right angle clamp -PASS-	02040.55	2
Plate holder	02062.00	1
Universal clamp	37715.00	1
G-clamp	02014.00	2
Glass pane, 150×100×4 mm, 2 off	35010.10	1
Digital multimeter	07134.00	2
Lab thermometer, -10...+100°C	38056.00	1
Connecting cord, $l = 500$ mm, red	07361.01	3
Connecting cord, $l = 500$ mm, blue	07361.04	2

Complete Equipment Set, Manual on CD-ROM included  
 Characteristic curves of a solar cell P2410901



Current-voltage characteristic at different light intensities  $J$ .

Tasks:

1. To determine the light intensity with the thermopile at various distances from the light source.
2. To measure the short-circuit current and no-load voltage at various distances from the light source.
3. To estimate the dependence of no-load voltage, and short-circuit current on temperature.
4. To plot the current-voltage characteristic at different light intensities.
5. To plot the current-voltage characteristic under different operating conditions: cooling the equipment with a blower, no cooling, shining the light through a glass plate.
6. To determine the characteristic curve when illuminating by sunlight.

### Related topics

Semi-conductor, p-n junction, energy-band diagram, Fermi characteristic energy level, diffusion potential, internal resistance, efficiency, photo-conductive effect, acceptors, donors, valence band, conduction band.

### Principle

The current-voltage characteristics of a solar cell are measured at different light intensities, the distance between the light source and the solar cell being varied.

The dependence of no-load voltage and short-circuit current on temperature is determined.

### Equipment

Solar battery, 4 cells, 2.5×5 cm	06752.04	1
Thermopile, molltype	08479.00	1
Universal measuring amplifier	13626.93	1
Rheostat, 330 Ohm, 1.0 A	06116.02	1
Lamp socket E27, mains conn.	06751.00	1
Filament lamp, 220 V/120 W, w. refl.	06759.93	1
Hot-/Cold air blower, 1700 W	04030.93	1
Meter scale, demo, $l = 1000$ mm	03001.00	1
Tripod base -PASS-	02002.55	2
Barrel base -PASS-	02006.55	2
Support rod -PASS-, square, $l = 250$ mm	02025.55	1

Right angle clamp -PASS-	02040.55	2
Plate holder	02062.00	1
Universal clamp	37715.00	1
G-clamp	02014.00	2
Glass pane, 150×100×4 mm, 2 off	35010.10	1
Digital multimeter	07134.00	2
Lab thermometer, -10...+100°C	38056.00	1
Connecting cord, $l = 500$ mm, red	07361.01	3
Connecting cord, $l = 500$ mm, blue	07361.04	2

### Tasks

1. To determine the light intensity with the thermopile at various distances from the light source.
2. To measure the short-circuit current and no-load voltage at various distances from the light source.
3. To estimate the dependence of no-load voltage, and short-circuit current on temperature.
4. To plot the current-voltage characteristic at different light intensities.
5. To plot the current-voltage characteristic under different operating conditions: cooling the equipment with a blower, no cooling, shining the light through a glass plate.
6. To determine the characteristic curve when illuminating by sunlight.

Fig. 1: Experimental set-up for determining characteristic curves.



**Set-up and procedure**

Measure the light intensity with the thermopile and amplifier with the equipment at different distances from the light source. (**Note:** the maximum output voltage of the amplifier is 10 V). The inlet aperture marks the position of the thermopile. The distance between the lamp and the thermopile should be at least 50 cm, since the angular aperture of the thermopile is only 20°.

The solar cell measures the diffused light as well as the direct light from the lamp. As the lamp has a slim light cone of approx. 30°, the diffused light chiefly arises as a result of reflection from the bench top, and can be suppressed by covering the bench with a black cloth or piece of black card.

The no-load voltage and the short-circuit current of the solar cell depend on temperature. To record the characteristics in Tasks 2 and 5, the solar cell is therefore kept at room temperature with the aid of a cold air blower.

To demonstrate the temperature effect, blow hot air over the solar cell and measure the temperature directly in front of it with a thermometer. Do not touch the cell as its thin p-layer can easily be damaged.

If the distance between lamp and solar cell exceeds 50 cm, the temperature rise caused by radiation can be disregarded in comparison with that caused by the hot air. Measure the no-load voltage and the short-circuit current.

The characteristics of the solar cell should be measured in sunlight also if possible; in this case both direct and diffused light are involved.

The thermophile is used again to determine the relationship between the short-circuit current and the light intensity, although it measures only direct light because of its small angular aperture. For comparative purposes, therefore, we must support a black cardboard tube about 20 cm long in front of the solar cell to screen it from the diffused light. It is important that the thermopile and the solar cell are pointing directly into the sun.

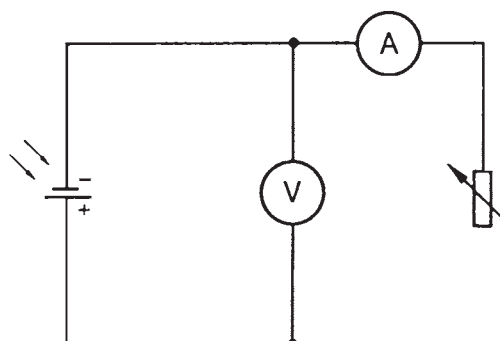
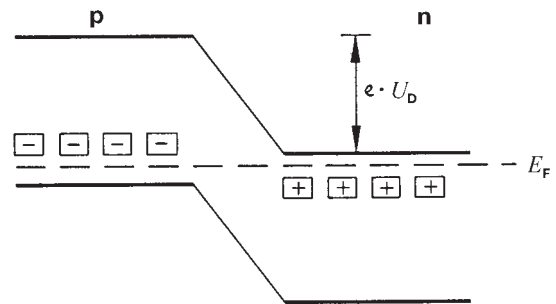


Fig. 2: Circuit for measuring the current-voltage characteristic.

Fig. 3: pn-junction in the energy-band diagram – acceptors, + donors,  $U_D$  is the diffusion potential,  $E_F$  is the Fermi characteristic energy level, and  $e$  is the elementary charge.



**Theory and evaluation**

Pure silicon is deliberately ‘impurified’ (doped) with tri- and pentavalent impurity atoms to make a p- or n-type semi-conductor. If we put a p-and n-type crystal together we get a junction (pn-junction, Fig. 3) whose electrical properties determine the performance of the solar cell.

In equilibrium (with no external voltage) the Fermi characteristic energy level  $E_F$  will be the same throughout. Because of the difference in the concentrations of electrons and holes in the p- and n-regions, electrons diffuse into the p-region and holes into the n-region. The immobile impurity atoms create a space charge-limited current region; the diffusion current and the field current offset one another in equilibrium.

The diffusion potential  $U_D$  in the pn-junction depends on the amount of doping and corresponds to the original difference between the Fermi energy levels of the separate p- and n-regions.

The distance between the valence band and the conduction band in silicon at room temperature is

$$E = 1.1 \text{ eV}$$

For silicon, the diffusion potential is

$$U_D = 0.5 \text{ to } 0.7 \text{ V.}$$

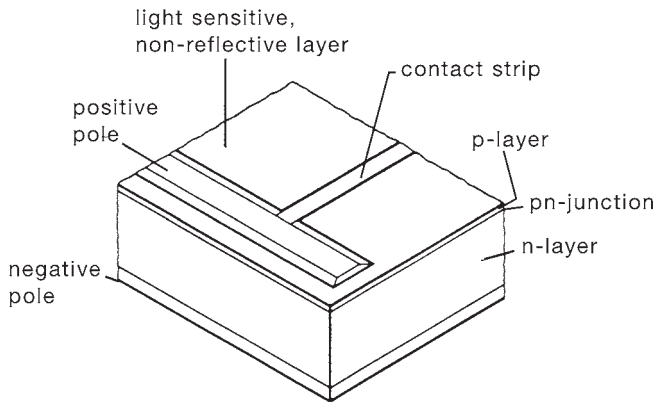
If light falls on the pn-junction, the photons create electron-hole pairs separated by the space charge. The electrons are drawn into the n-region and the holes into the p-region.

Photons are absorbed not only in the pn-junction but also in the p-layer above it. The electrons produced are minority carriers in those areas: their concentration is greatly reduced by recombination, and with it their efficiency. The p-layer must therefore be sufficiently thin for the electrons of diffusion length  $L_E$  to enter the n-layer.

$$L_E \gg t,$$

where  $t$  = thickness of p-layer.

Fig. 4: Construction of a silicon solar cell.



If  $g$  is the number of electron-hole pairs produced per unit area and of a voltage  $U$  is applied across the pn-junction, a stream of electrons and holes of density

$$i = e \cdot (\exp eU/kT - 1) \quad (1)$$

$$(n_0 D_e t/L_e^2 + p_0 D_h/L_h) - e \cdot g$$

is produced, where  $e$  is the elementary charge,  $k$  is Boltzmann's constant,  $T$  is the temperature,  $L$  is the diffusion length of electrons and holes,  $D$  is the diffusion constant for electrons and holes,  $n_0$  and  $p_0$  are equilibrium concentrations of the minority carriers.

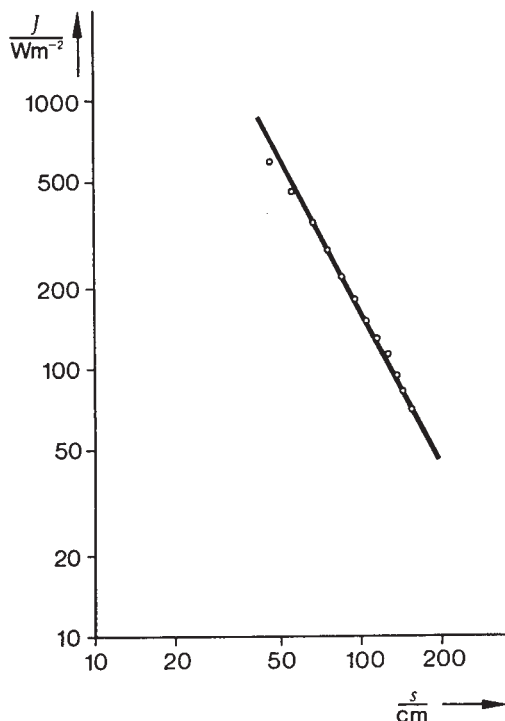


Fig. 5: Light intensity  $J$  at distances  $s$  normal to the light source.

The short-circuit current density ( $U = 0$ )

$$i_s = -e \cdot g \quad (2)$$

is proportional to the intensity of the incident light at fixed temperature.

$g$  becomes very slightly greater (less than 0.01 %/K) as the temperature rises.

The voltage  $U$  can become as high as the diffusion potential  $U_D$  but no higher. As the temperature rises the no-load voltage decreases typically by  $-2.3$  mV/K, since the equilibrium concentrations  $n_0$  and  $p_0$  increase with the temperature:

$$n_0 \sim \exp(-\Delta E/2kT)$$

1. The light intensity is varied by varying the distance between the light source and the solar cell. To determine the intensity with the thermopile it is assumed that all the light entering the aperture (dia. 2.5 cm) reaches the measuring surface. The sensitivity is 0.16 mV/mW.

By extrapolating the straight line we can determine the intensity at distances  $s \leq 50$  cm.

2. Using the measured values in Fig. 5 we obtain the relationship between the light intensity and the short-circuit current and no-load voltage measured at various distances away from the light source (Fig. 6).

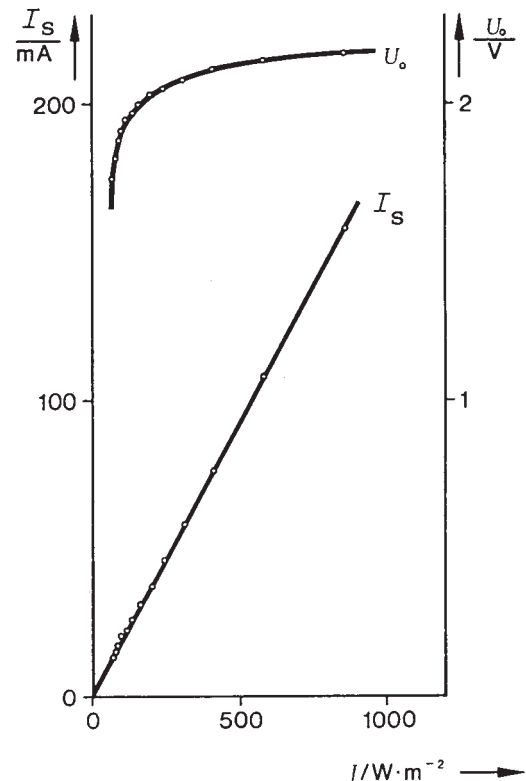


Fig. 6: Short-circuit current  $I_s$  and no-load voltage  $U_o$  as a function of the light intensity  $J$ .

Fig. 7: Current-voltage characteristic at different light intensities  $J$ .

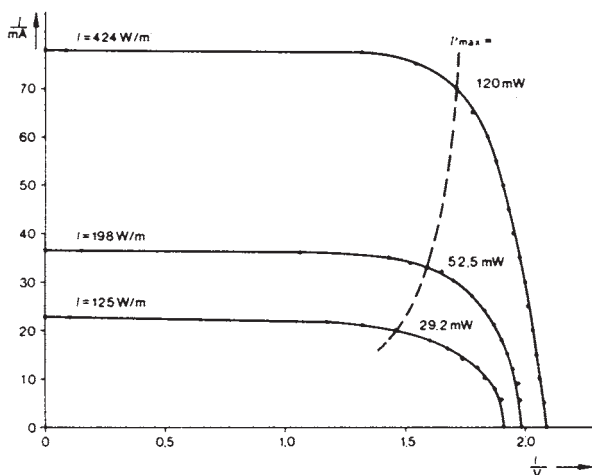
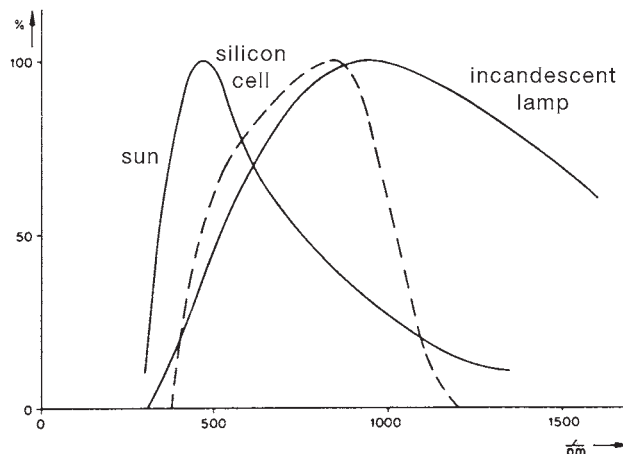


Fig. 9: Spectrum of the sun ( $T$  approx. 5800 K) and of an incandescent lamp ( $T$  approx. 2000 K), and the spectral sensitivity of the silicon solar cell.



The solar battery which consists of four cells connected in series thus has a maximum no-load voltage of 2 V. The short-circuit current is proportional to the light intensity (see 2)).

$$I_s = 1.84 \times 10^{-4} \text{ A/Wm}^{-2} \cdot J$$

When measuring the effect of temperature on  $U_0$  and  $I_s$ , the temperature distribution over the hot air area must be taken into account. The measurements can provide only a rough order of magnitude of this.

Measuring the no-load voltage with hot and cold air gave:

$$\frac{\Delta U_0}{\Delta T} = -8 \text{ mV/K.}$$

We thus obtain the value  $-2 \text{ mV/K}$  for one cell.

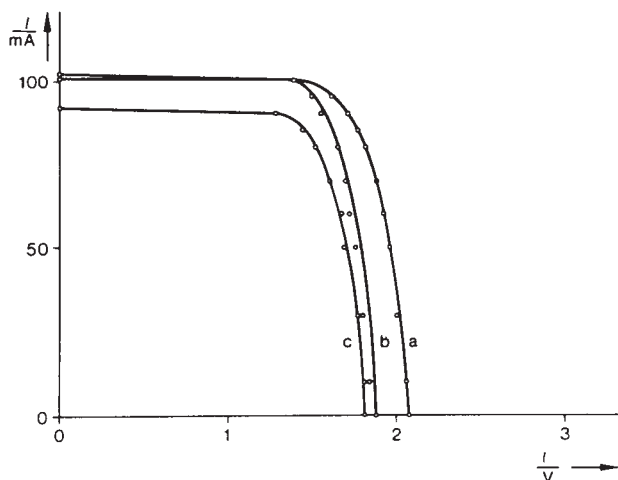


Fig. 8: Current-voltage characteristics of the solar battery  
a) with blower cooling  
b) with no blower cooling  
c) when screened with a glass plate.

The change in short-circuit current with the temperature cannot be measured.

4. The maximum power output is at the turning points on the curves (joined by the broken line) at which the load resistor has the same value as the internal resistance  $R_i$  of the solar battery.

The internal resistance decreases with increasing light intensity.

If we compare the maximum power output with the incident power, we obtain an efficiency of approx. 6% (area of solar battery  $50 \text{ cm}^2$ ).

5. A glass plate which absorbs light in the infrared region can be used to reduce a rise in temperature of the solar battery. Fig. 8 shows the effect of the various 'operating modes'.

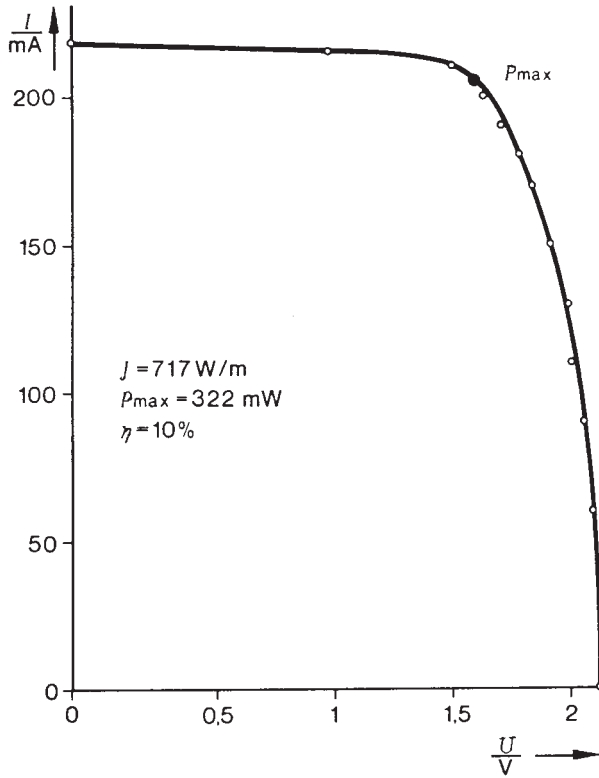
6. Sunlight incident on solar cells produces different characteristic curves from incandescent light. The reason lies in the different spectra of the two light sources.

At the same light intensity, sunlight produces a higher short-circuit current

$$I_s = 3.04 \cdot 10^{-4} \cdot J \text{ A/Wm}^{-2}$$

Because the infrared region of the spectrum of sunlight is smaller, the solar cell does not heat up so much and the measurements with and without cooling provide the same characteristics for sunlight.

Fig. 10: Current-voltage characteristic, illumination with sun-light (direct and diffused light)  $P_{\max.}$  = max. power,  $\eta$  = efficiency.



**LEP**  
**4.1.09**  
**-01**

## Characteristic curves of a solar cell

